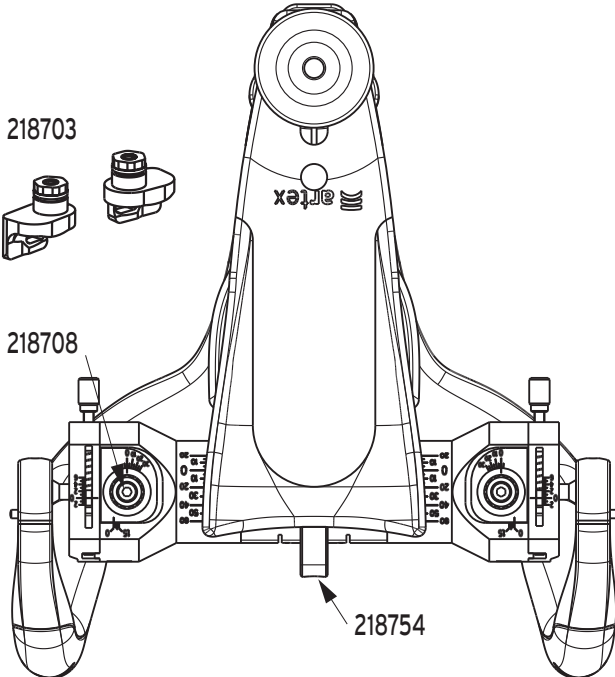
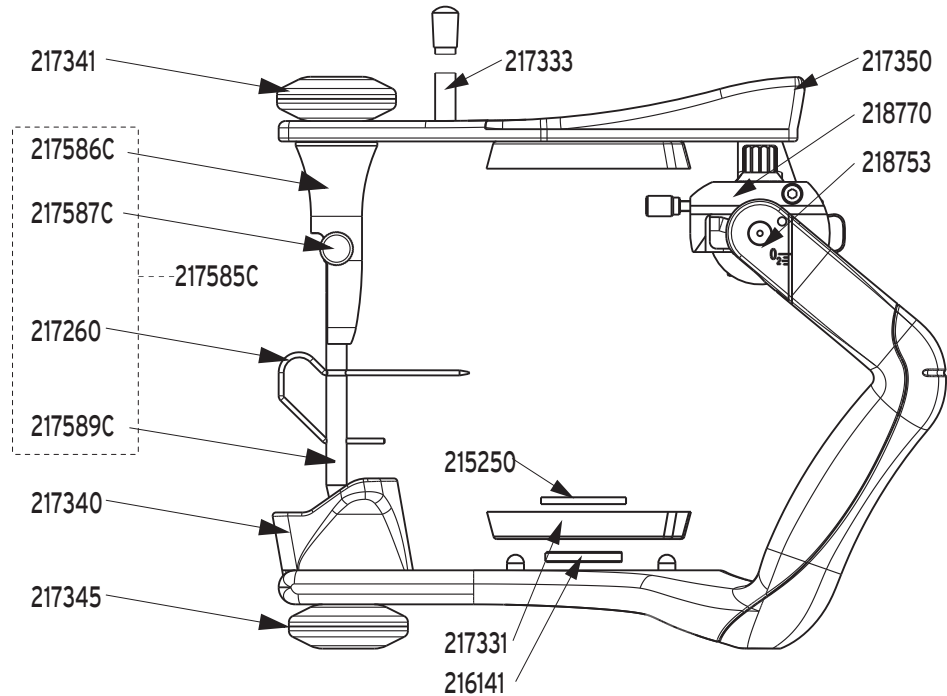
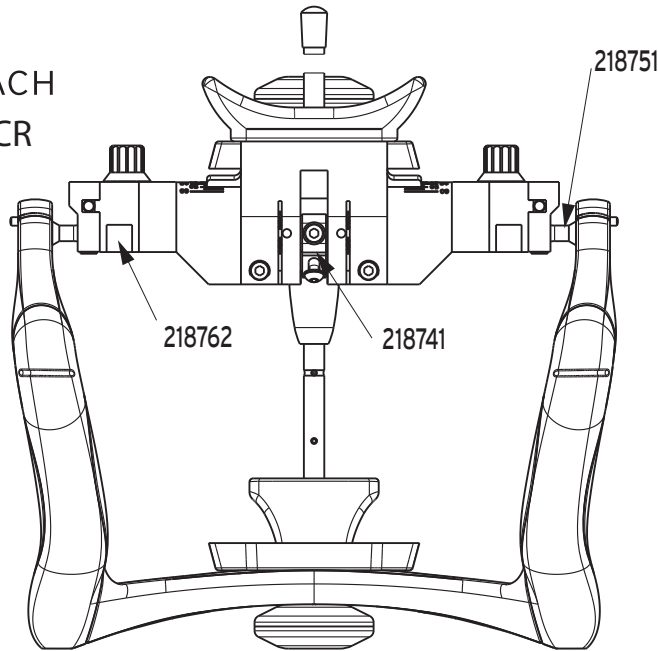




**AMANN GIRR BACH**  
218760 Artex CR



- |         |  |  |
|---------|--|--|
| 217331  | Artex Modellplatten blau 50er Pckg.      | Modell plate blue, 50 pcs.               |
| 215250  | Retentionsscheiben (100 Stk)             | Retention Disks, 100 pcs.                |
| 216141  | Splitex-Magnet                           | Splitex Magnet                           |
| 217589C | FZF Stift mit Nadel C-Version            | Anterior guidance pin, C-Vers.           |
| 217260  | Artex-Inzisl-nadel                       | Artex incisal needle                     |
| 217350  | Artex C Oberteil mit Kunststoffaufsatz   | Artex Carbon upper part                  |
| 218703  | Kondyleneinsätze AP/AR                   | Condyle inserts AP/AR                    |
| 217333  | Stützstift C schraubbar                  | Support pin C screwable                  |
| 217586C | FZF Stifthalter C-Version                | Ant. guidance pin f. C-Vers.             |
| 218751  | Artex CP/CR Kondylenachsenpaar           | Artex CP/CR Condyle axes (pair)          |
| 218741  | Artex Arcon Zentrik kompl.               | Artex Arcon centric compl. unit          |
| 217341  | Artex C Schraube für FZF                 | Artex C Anterior Guidance Screw          |
| 217340  | Artex FZF Teller anatomisch              | Plate anatomical f. C-Vers.              |
| 218380  | Artex-Inbusschlüssel Arcon               | Artex Allan key A                        |
| 218762  | Artex CR retraler Anschlag               | Artex CR retrusion insert                |
| 217587C | Artex C - FZF - Schraube                 | Ant. Guidance pin fixing screw           |
| 218770  | Artex CR Protrusionszeiger Paar          | Artex CR protrusion pointer (pair)       |
| 218708  | Inbus f. Drehkopf AP/AR                  | Allen for Bennett-angle turning knob     |
| 218753  | Artex CP/CR Achsenaufnahme und Distrakti | Artex CP/CR axis and distractoin support |
| 217585C | FZF Stift Standard C-Version             | Ant. guidance pin f. C-Vers.             |
| 218754  | Artex CP/CR Zentrik-Schwenkhebel         | Artex CP/CR centric lever                |